



DEGA UDA III

GAS DETECTION CONTROL PANEL



- Up to 100/200 transmitters via RS485
- Color TFT LCD 7" touch screen (800x480)
- BUS/LOOP connection
- Protection class IP54
- ONLINE/HISTORY visualization
- HART/MODBUS protocol



ISO 9001:2015
Quality management Systems
Système de Qualité
www.sgs.com



Gas detection control **DEGA UDA III**

The third-generation evaluation controller is designed as a separate device, with the possibility of mounting on a wall or in a switchboard. It is used to power up to 488 transmitters, of which 288 pcs digitally (RS485) in 4 lines (BUS) and 2 circuits (LOOP) and up to 200 transmitters via an analog input (4-20 mA) using input modules (up to 25 DEGA UDA III A18 modules). For transmitters, it evaluates the gas leak in four levels. It is also possible to connect one DEGA Zc II flood transmitter and a DEGA Tc II temperature transmitter. The status of all transmitters is indicated on the controller through an LCD touch screen. The controller can be equipped with up to 20 arbitrarily configurable internal relays, output for optical and acoustic signaling, output for impulse closing of DEGA HV DNx emergency valves, USB port, and additional modules for connection to the control of secondary systems (fan, air conditioning, etc.). The basic configuration can be set using the LCD touch screen. The controller can also be expanded with a memory (HISTORY) with recording up to 300 days back, a backup source as well as many optional modules and accessories.

TECHNICAL DETAILS

Power voltage	230 VAC nebo 24 V DC/6,3 A nominal
Dimensions without grommets	460mmx320mmx120mm(WxHxD)
Weight	4,5 Kg
Internal memory history capacity	300 days at 30 s record.
Relative humidity interval	20-90 % RV
Ambient temperature	-20 up to +85 °C
Protection class	IP54
Working environment	BE1 - noexplosion hazard

TYPES:

DEGA UDA III 72

Evaluation control panel for max. 100 transmitters

DEGA UDA III 144

Evaluation control panel for max. 144 transmitters

DEGA UDA III 216

Evaluation control panel for max. 216 transmitters

DEGA UDA III 250

Evaluation control panel for max. 250 transmitters

OUTPUTS:

- 20x potential-free switching relay 250V/10A
- 2x output for audio and optical signaling (max 24V/5A)
- LTE modem
- Ethernet port
- RS485 (MODBUS)
- USB (for PC configuration)

INPUTS:

- 8x digital transmitter lines (100/200 transmitters)
- HART (with DEGA UDA III A18 expansion card)

RECOMMENDED ACCESSORIES

DEGA UDA III Power

Internal Power Supply 230 V AC/ max 150W

DEGA UDA III Relay Modul

Internal Output, 10-relay, 250 V/10 A

DEGA UDA III RS485 Modbus RTU Module

Internal RS485 Modbus RTU

DEGA UDA III Memory Modul

Internal Output, 10-relay, 250 V/10 A

DEGA UDA III Modbus TCP/IP Module

Internal Ethernet port for MODBUS TCP/IP

DEGA UPA III Module Digital Input

Internal 2xDigital Input

DEGA UDA III CANBus

Internal CANbus

Gas detection control **DEGA UDA III**

■ FEATURES:

- ONLINE display of concentration and states (alarm) on the TFT LCD touch screen
- HISTORY of alarms 300 days retroactively (display by data and in a well-arranged graph)
- Option to name transmitter positions
- 1-4th degree of gas leakage, PEL, STEL
- Configuration of outputs (relays) and inputs by simple touch in MENU
- Service mode including the option to block individual transmitters
- Test mode with concentration simulation
- Reading of values and states for the higher-level system using Modbus communication protocol
- Testing outputs with "TEST MENU"



■ VIEW OF RECORDS HISTORY (CHART)



■ VIEW OF RELAY SETTINGS

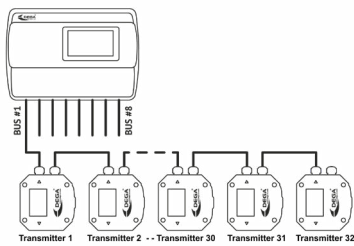


■ TRANSMITTER CONNECTION OPTIONS

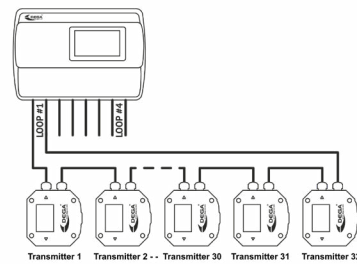
Transmitters can be connected to the control panel via the RS485 digital bus or with the optional DEGA UDA III AI8 module using 4-20mA (HART).

■ CONNECTION OF TRANSMITTERS VIA RS485

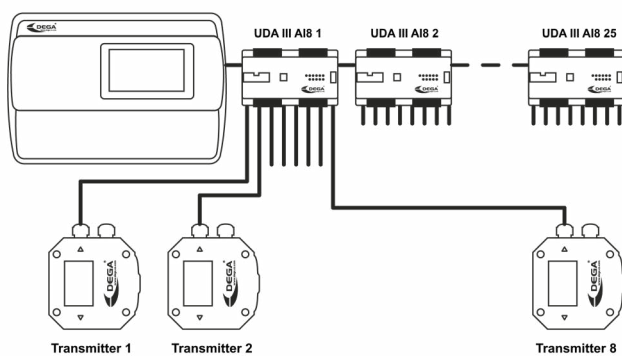
■ BUS TOPOLOGY



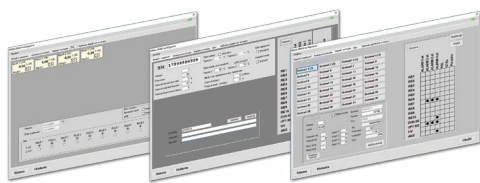
■ LOOP TOPOLOGY



■ CONNECTION OF TRANSMITTERS WITH ADDITIONAL MODULE DEGA UDAIII AI8,4-20MA (HART)



■ SOFTWARE



DEGA Config
configuration and service software



DEGA VISIO III
visualization software

■ ACCESSORIES



External power supply
with External
Mounting Box



Zener barrier



LTE modem (GSM)



UPS